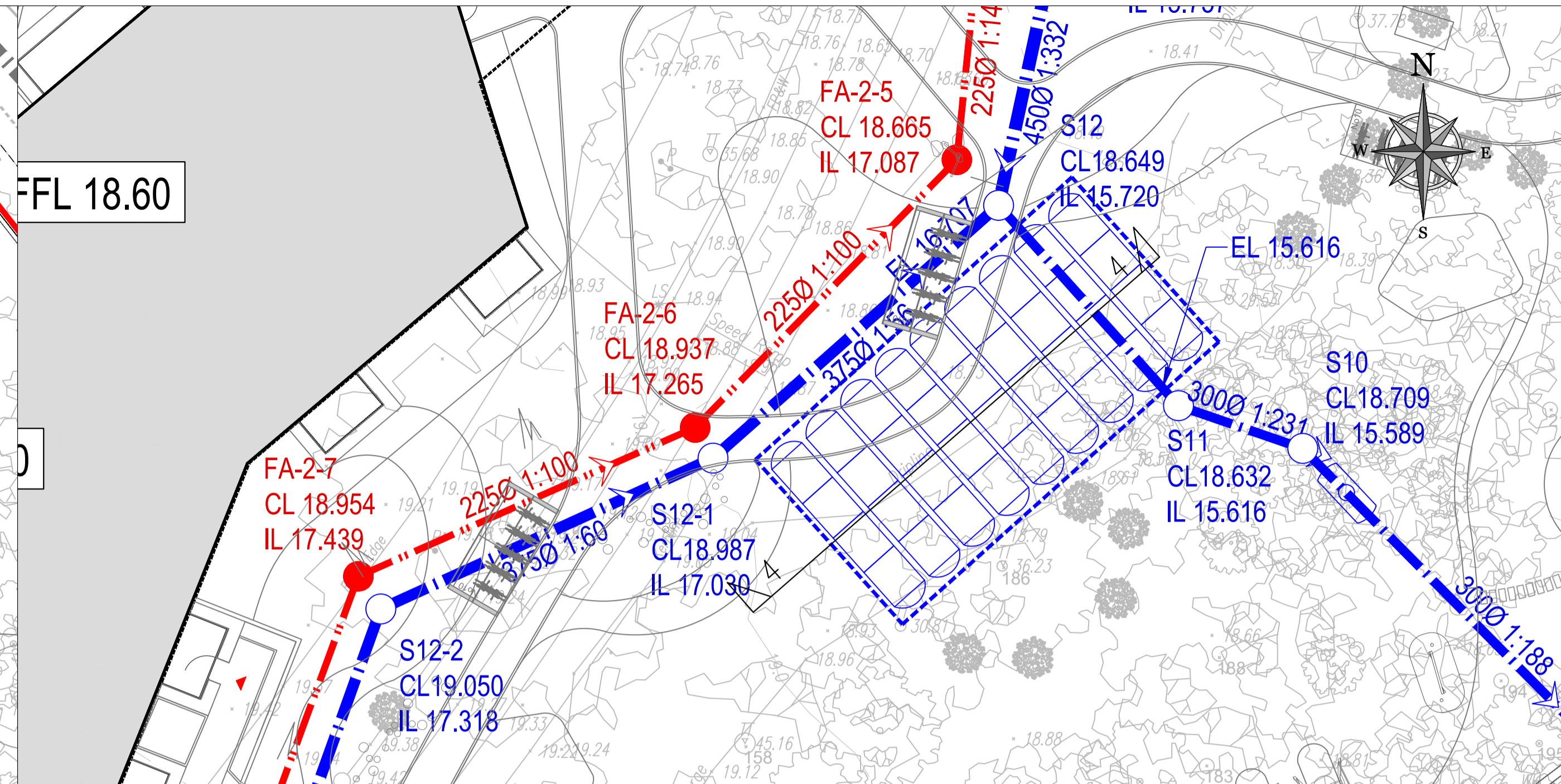


PLAN OF ATTENUATION CATCHMENT AREA: 3 (SCALE 1:200)



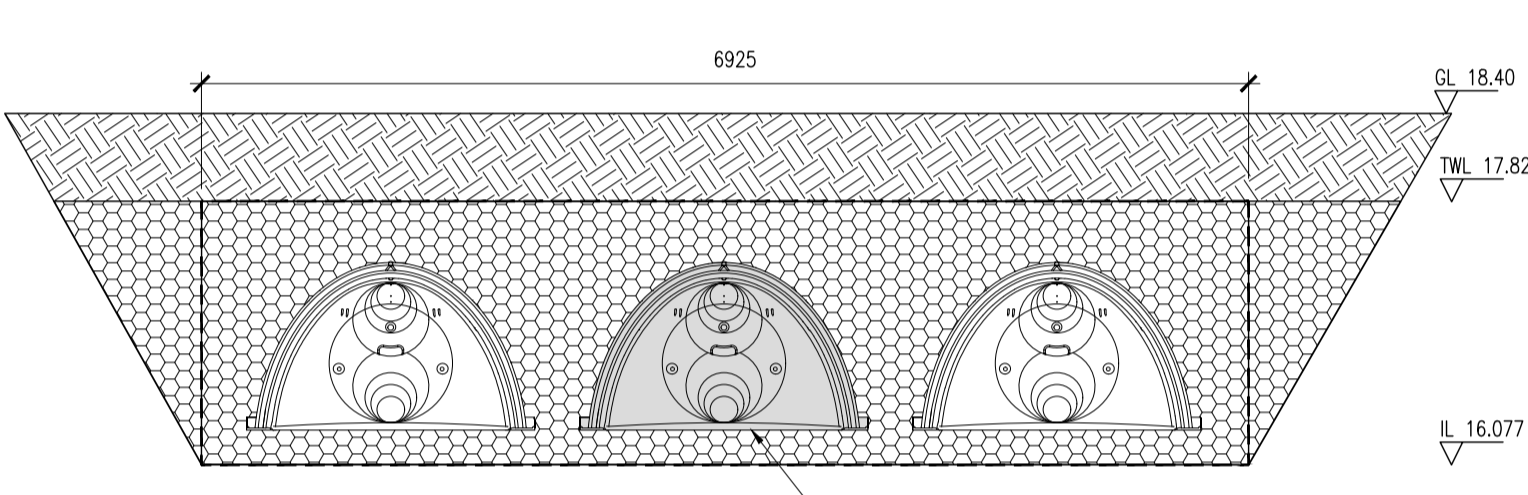
PLAN OF ATTENUATION CATCHMENT AREA: 5 (SCALE 1:200)

© COPYRIGHT OF THIS DRAWING IS RESERVED BY DBFL CONSULTING ENGINEERS. NO PART SHALL BE REPRODUCED OR TRANSMITTED WITHOUT THEIR WRITTEN PERMISSION.

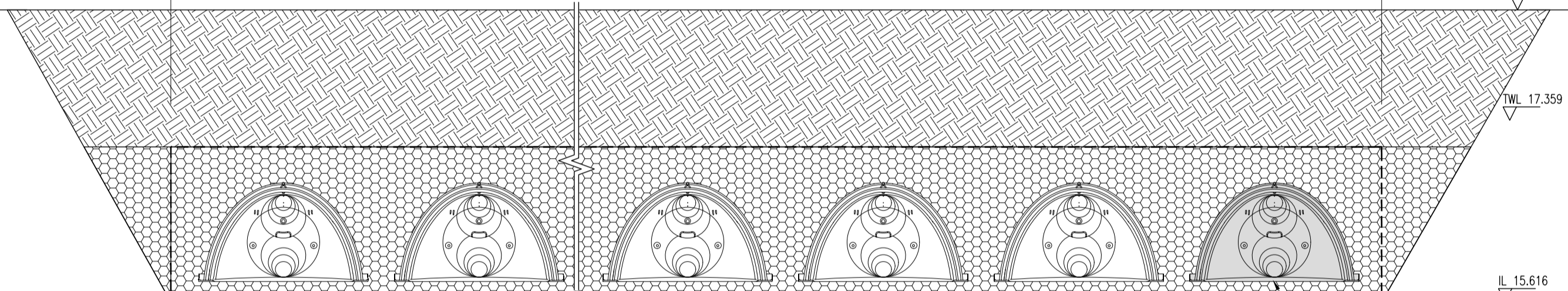
ON ORIGINAL

NOTES:

- WHERE ROCKS OR OTHER HARD TRENCH BOTTOM IS ENCOUNTERED, THE FIGURE DENOTED BY * IS TO BE DOUBLED.
- TYPE 1 GRANULAR MATERIAL : BROKEN STONE OR GRAVEL TO PASS 10mm SIEVE AND BE RETAINED ON 5mm SIEVE.
- TYPE 2 GRANULAR MATERIAL : BROKEN STONE OR GRAVEL TO PASS 10mm - 25mm SIEVE, ACCORDING TO PIPE SIZE, (SEE TABLE) AND BE RETAINED ON 5mm SIEVE.
- CLAUSE 601 S.R.W. BACKFILL : UNIFORM READILY COMPACTED MATERIAL FREE FROM TREE ROOTS, VEGETABLE MATTER, BUILDING DEBRIS, AND FROZEN SOIL AND EXCLUDING CLAY LUMPS RETAINED ON A 75mm SIEVE AND STONES RETAINED ON A 37.5mm SIEVE.
- RIGID PIPES SHALL MEAN CAST OR SPUN IRON, CONCRETE OR CLAY.
- GULLY GRATINGS AND FRAMES SHALL COMPLY WITH THE REQUIREMENTS OF I.S./E.N./124 1994. GULLIES SHALL BE CLASS D400.
- GULLY WALLS SHALL BE CONSTRUCTED IN CLASS 30N/mm² PRECAST OR IN-SITU CONCRETE OR ALTERNATIVELY IN SOLID CONCRETE BLOCKS DESIGNATED S10, STRENGTH 10N/mm²
- ALL PIPES TO BE BEDDED IN ACCORDANCE WITH MANUFACTURERS RECOMMENDATIONS
- SURFACE WATER SEWERS TO BE CLASS H CONCRETE TO IS EN1916 AND IS 6 2004.



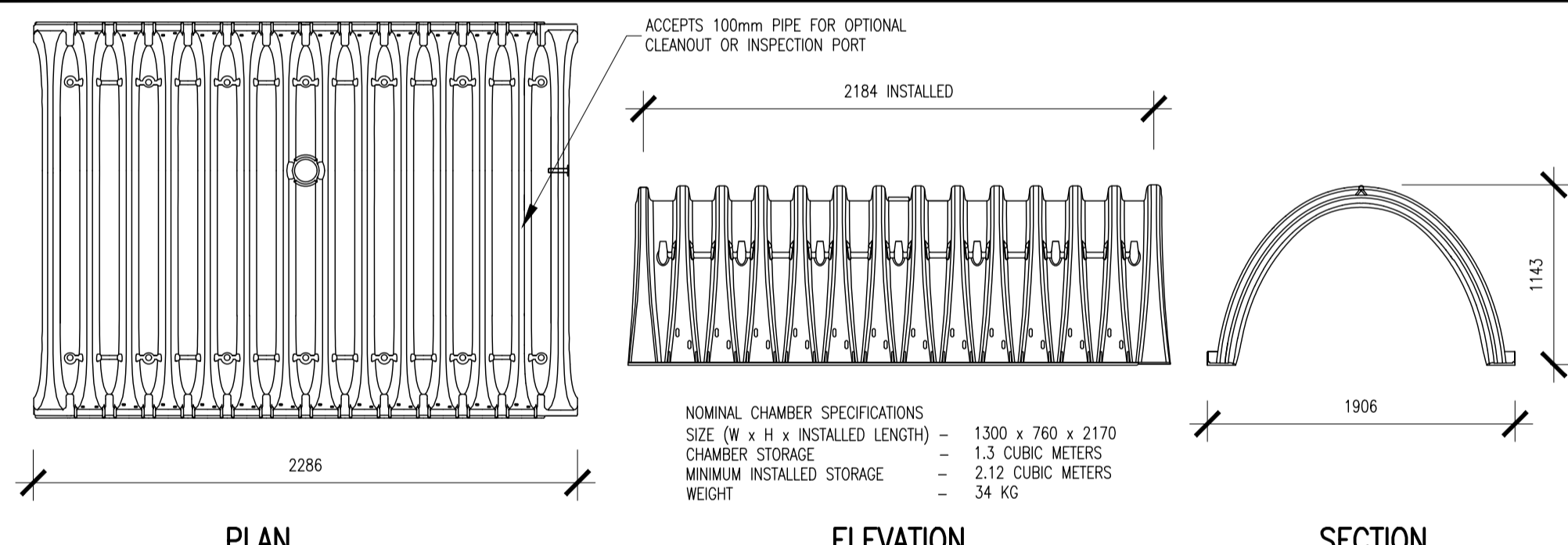
CATCHMENT 3 (STORMTECH MC-3500 CHAMBER SYSTEM) SCALE 1:50



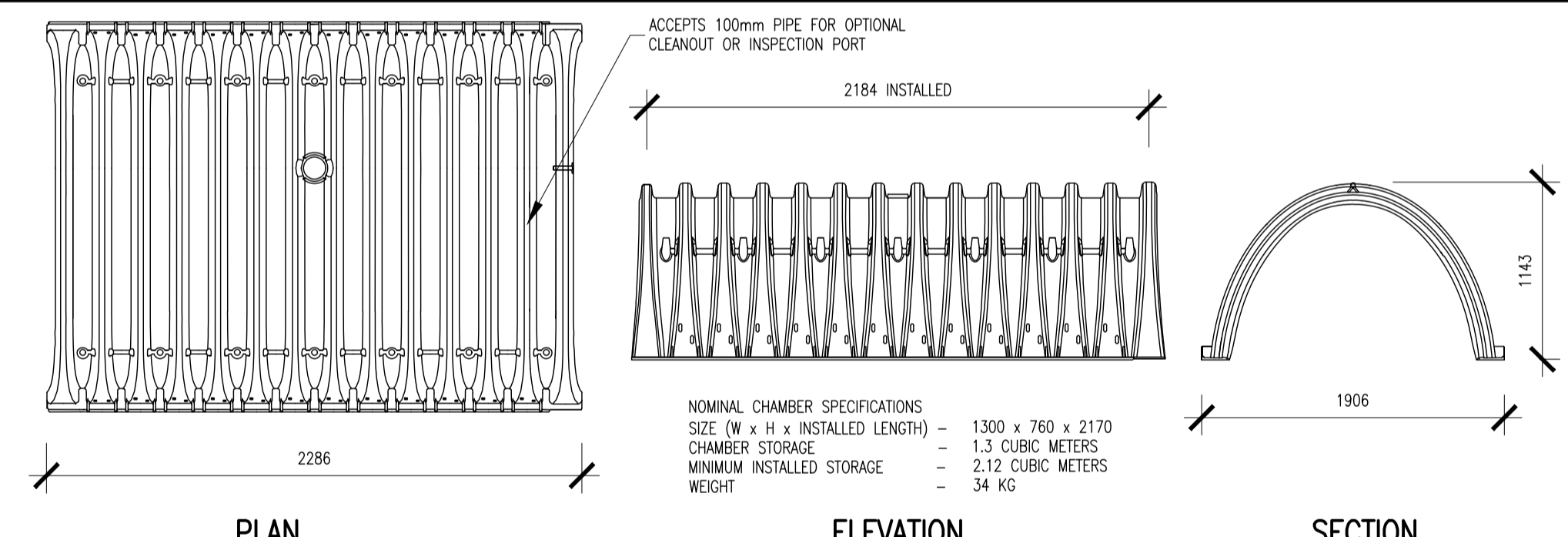
CATCHMENT 5 (STORMTECH MC-3500 CHAMBER SYSTEM) SCALE 1:50

LEGEND:

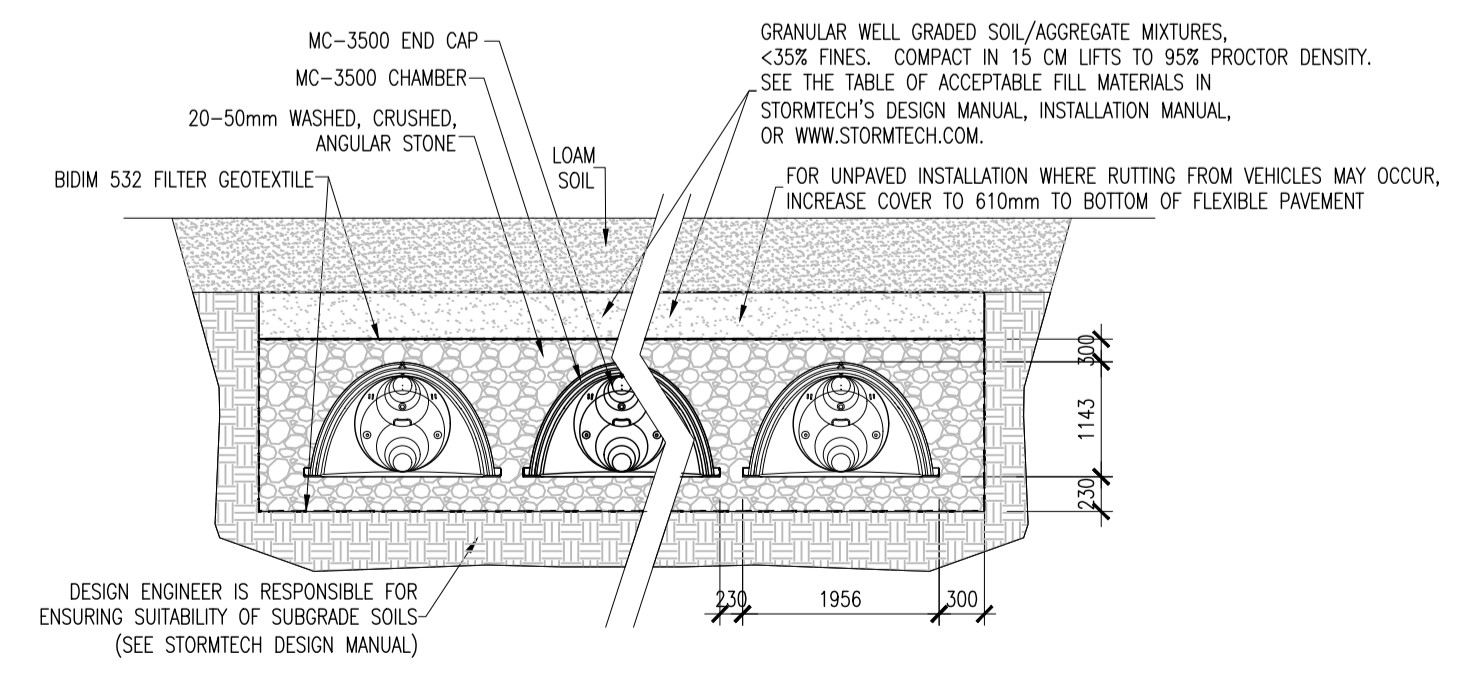
- SITE BOUNDARY
- PROPOSED FOUL SEWER
- PROPOSED SURFACE WATER DRAINAGE
- EXISTING SURFACE WATER
- EXISTING FOUL SEWER
- PROPOSED ROAD GRADIENT
- EXISTING LEVELS
- PROPOSED LEVELS
- FINISHED FLOOR LEVEL
- PERMEABLE PAVING



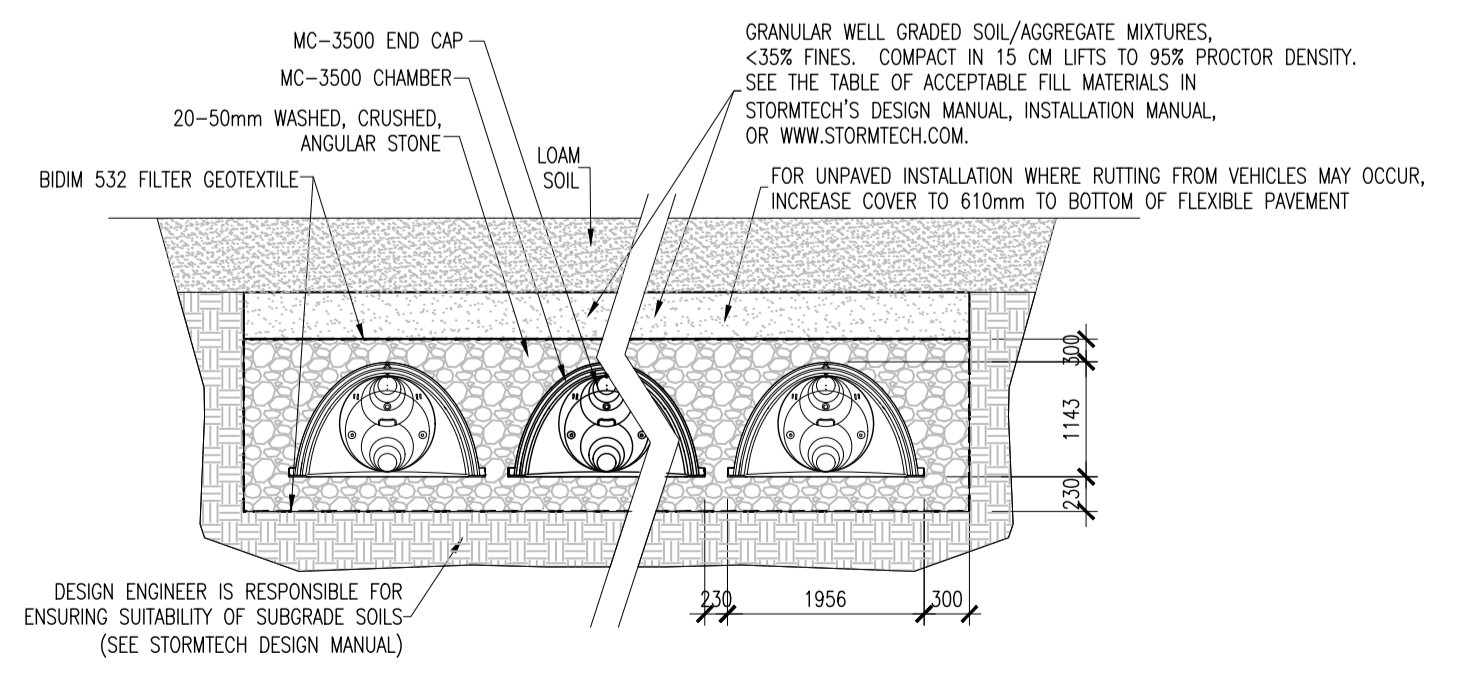
STORMTECH MC-3500 CHAMBER SYSTEM SCALE NTS



STORMTECH MC-3500 CHAMBER SYSTEM SCALE NTS



STORMTECH MC-3500 CHAMBER SYSTEM SCALE NTS



STORMTECH MC-3500 CHAMBER SYSTEM SCALE NTS

P01	25-08-21	PLANNING	JVS	BK
rev	date	description	by	chkd.
		A - Approved		
		B - Approved with comments		
		C - Do not use		
client approval				
suitability		issue purpose		
S2 - INFORMATION		PLANNING		
<p>DBFL Consulting Engineers Civil, Structural & Transportation Engineering www.dbfl.ie</p> <p>DUBLIN OFFICE: Ormond House, Upper Ormond Quay, Dublin 7, D07 W704 PHONE: +353 1 400 4000</p> <p>CORK OFFICE: Phoenix House, Monahan Road, Cork, T12 H1XV PHONE: +353 (0) 21 2264538</p> <p>WATERFORD OFFICE: Suite 10 The Atrium, Maritime Gate, Canada Street, Waterford, X91 W028 PHONE: +353 51 309 500</p>				
project ref.				
SANDFORD ROAD, MILLTOWN				
drawing title				
TYPICAL ATTENUATION DETAILS SHEET 2				
client				
SANDFORD LIVING LIMITED				
designed by	author	scale	sheet size	
BK	ICD	AS NOTED	A1	
drawing no.	revision			
190226-DBFL-CS-SP-DR-C-5006	P01			